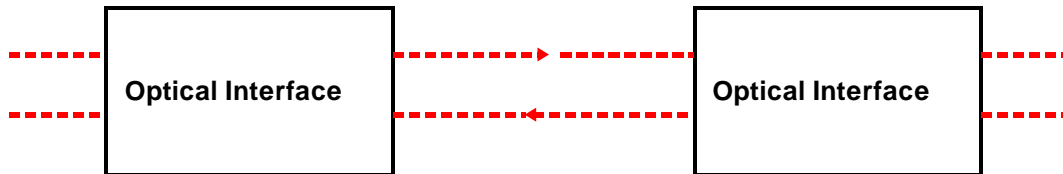


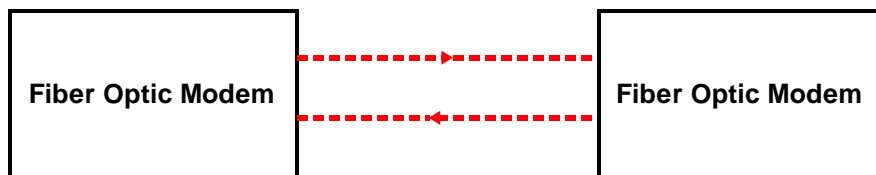
Network Topologies

There are five basic network topologies possible with the EOTec 2000 system. Using these, many combinations can be created.

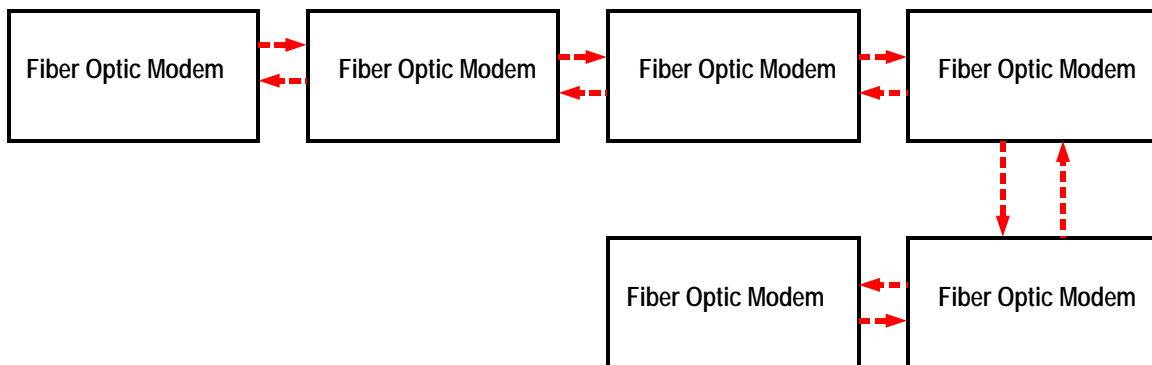
Repeater is used for strengthening an optical signal that has traveled the maximum distance throughout a fiber optic cable. It is used for communicating over very long distances.



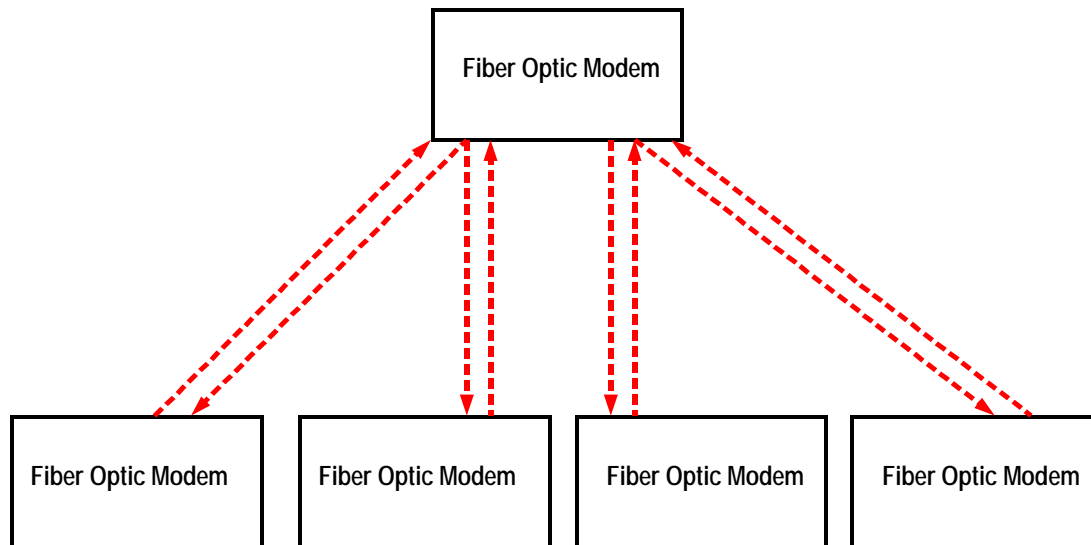
Point-to-Point is used to make simple connections from a PLC to a PLC on an I/O block.



Daisy Chain is used for multiple drops along a line.



Star Configuration is used for branching from one point outward. As many as four branches can be made optically if all addresses are used. A star system can be connected to another star system if more branches are needed.



Self-Healing Ring provides media redundancy.

